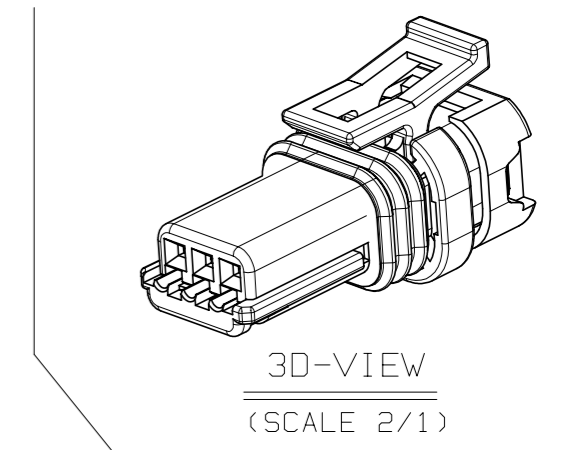
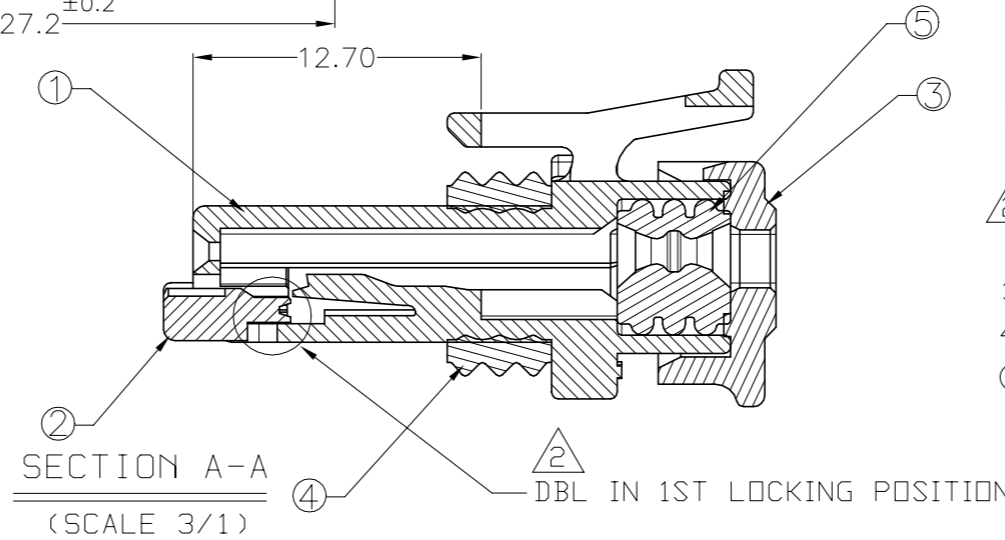
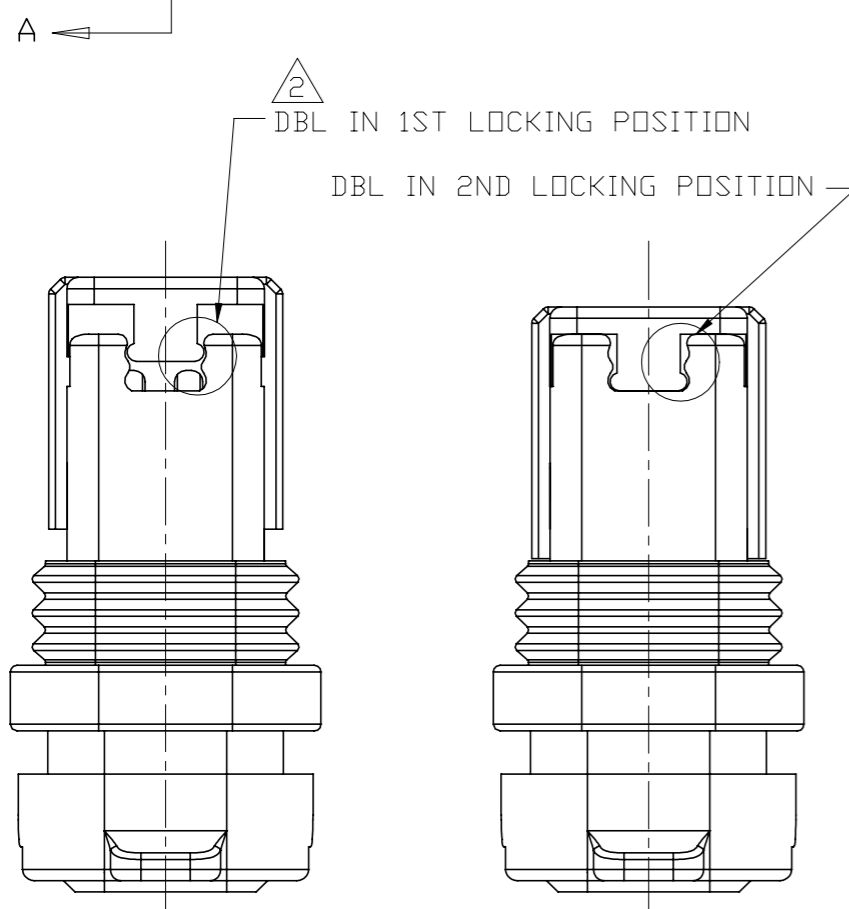
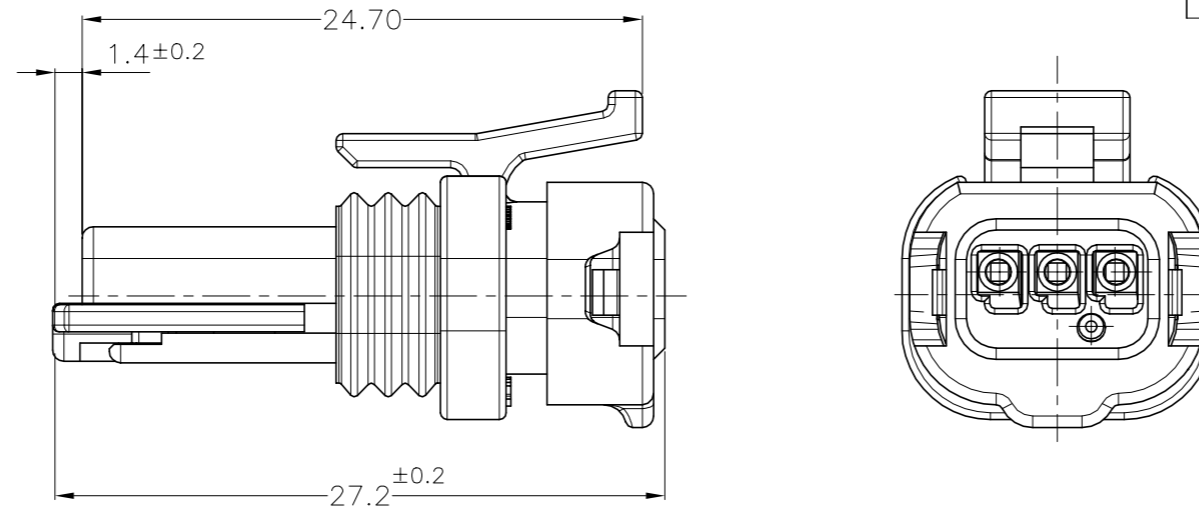
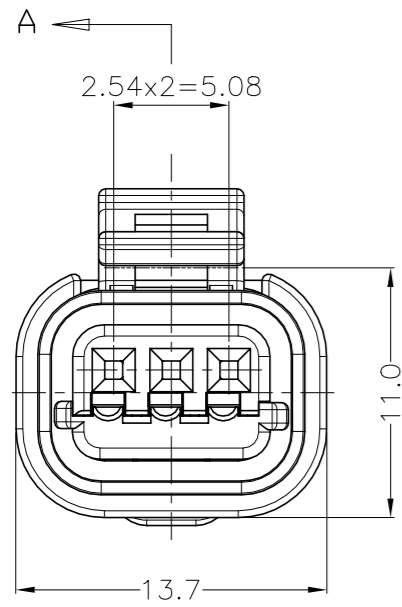


REVISIONS

P	LTR	DESCRIPTION	DATE	DWN	APVD
	B	REVISED (ECR-08-005642)	20.MAY.'08	KT	HG
	C	REVISED (ECR-14-012386)	26.AUG.'14	JM	HG
	C1	REVISED (ECR-14-014192)	23.OCT.'14	JM	HG
	D	REVISED (ECR-20-013132)	05.JAN.'21	YH	YJ



NOTES

- 1. GENERAL TOLERANCE IS ±0.3
- 2. CONDITION OF DELIVERY :
DBL IN 1ST LOCKING POSITION
- 3. APPLIED HEADER ASS'Y P/N: 936531
- 4. APPLIED RECEPTACLE CONTACT P/N:

ⓑ	P/N	WIRE SIZE(mm ²)	INSULATION DIA.
	1318329	0.3 ~ 0.5mm ²	MAX. Ø1.7

NO	COLOR	MATERIAL	DESCRIPTION	P/N	Q'TY
⑤	RED ORANGE	SILICONE	FAMILY SEAL	936880-1	1 1 1
④	RED BROWN	SILICONE	INNER SEAL	936879-1	1 1 1
③	GRAY	PBT GF15	SEAL RETAINER HSG	936530-3	- 1 -
	BLACK	PBT GF15	SEAL RETAINER HSG	936530-2	1 - -
	YELLOW	PBT GF15	SEAL RETAINER HSG	936530-1	- - 1
②	WHITE	PBT GF15	DBL HSG	936529-1	1 1 1
①	BLACK	ⓑ PA66 GF15	PLUG HSG	936528-2	1 1 1

THIS DRAWING IS A CONTROLLED DOCUMENT FOR TYCO ELECTRONICS CORPORATION. IT IS SUBJECT TO CHANGE AND THE CONTROLLING ENGINEERING ORGANIZATION SHOULD BE CONTACTED FOR THE LATEST REVISION.

DIMENSIONS: MM	TOLERANCES UNLESS OTHERWISE SPECIFIED:
	0 PLC ±
	1 PLC ±
	2 PLC ±
	3 PLC ±
	4 PLC ±
	ANGLES ±
MATERIAL	FINISH
SEE TABLE	

DWN JM JEON
CHK JW JUNG
APVD HG CHO
PRODUCT SPEC -
APPLICATION SPEC -
WEIGHT -

TE TE Connectivity

NAME
025 3P SEALED CONNECTOR FOR HLLD

SIZE A3 CAGE CODE 00779 C=936527 DRAWING NO RESTRICTED TO -

CUSTOMER DRAWING SCALE 3/1 SHEET 1 OF 1 REV D